

USB Type-C Connector

CAM-L05B / R41-B583A

MITSUMI

FEATURES

Model Name	CAM-L05B
Part Number	R41-B583A
Description	USB Type-C Connector, Receptacle
Type	Onboard SMT
TID Number	5,200,000,802



Materials	
Contact Pin	Copper Alloy
Mid Plate	Stainless Steel
Insert Housing	PA Resin
Shell	Stainless Steel

External Dimensions	
Height	3.22 mm
Width	8.17 mm
Depth	8.94 mm

Packing	
Weight/Unit	0.45 g
Reel	1800 pcs/reel; 9000 pcs (5 reels)/carton

SPECIFICATIONS

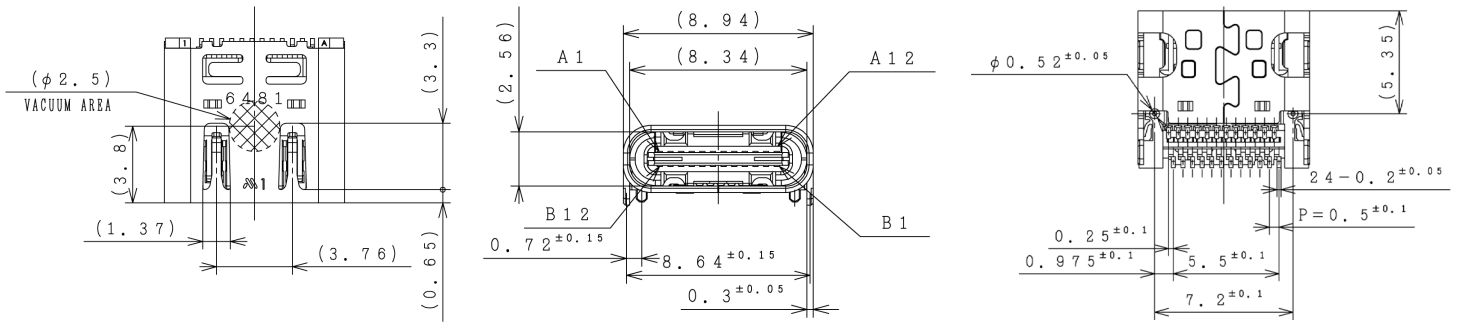
Electrical Characteristics	
Low Level Contact Resistance	Initial: 40 mΩ max; After 50 mΩ max
Dielectric Strength	AC 100V, 1 min
Insulation Resistance	DC 500V 100 MΩ min
Contact Current Rating	Vbus 5A, Vconn 1.25A through GND and the other 0.25A. Δ t: 30 °C max

Transfer Characteristics (Informative)	
Differential Insertion Loss Fit at Nyquist Frequencies	USB Type-C Standard
Integrated Differential Multi-reflection	USB Type-C Standard
Integrated Differential Near-end Crosstalk on Super Speed	USB Type-C Standard
Integrated Differential Far-end Crosstalk on Super Speed	USB Type-C Standard
Differential Crosstalk on D+/D-	USB Type-C Standard
Integrated Return Loss	USB Type-C Standard
Differential to Common Mode Conversation	USB Type-C Standard

Mechanical Characteristics	
Insertion Force	5~20N
Extraction Force	Initial: 8~20N After durability: 6~20 N
Durability	10,000 cycles
Vibration	20~500 Hz / 30 m/s ² (3.1 G) / X, Y, and Z direction each 15 min
4-axis Continuity	20 N, 10 sec, up down left and right, 15 mm from exit of connector

Environmental Conditions	
Temperature Life	105 ± 2 °C, 120H
Thermal Shock	-55 °C ~ 85 °C each 30 min 10 cycles
Temperature and Humidity Cycle	25 ± 3 °C 80±3% ~ 65±3 °C 50±30%RH each 30min 24cycles
Mixed Flowing Gas	30±2°C, 70±2%RH, H2S:10±5ppb, SO2:100±20ppb, NO2:200±50ppb, Cl2:10±3ppb ; Unmated 112H and Mated 56H
Maximum Soldering Temperature	250 °C, 10 sec, 2 times
RoHS Compliant/Lead Free	Compliant

DIMENSIONS / FOOTPRINT / TERMINAL PINNING



Unit: mm
General Tolerance: ± 0.3 mm

